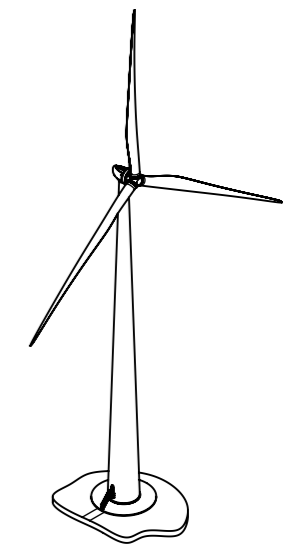


VIEW P

Item	Symbol	Value
Tower bottom diameter	G1	11
Tower top diameter	G2	3.2
Rotor diameter	K1	136
Total height	K2	200
Blade tip width	K3	0.2
Blade root width	K4	3.2
Max blade width	K5	4.5
Distance tip - widest	K6	50
Cone angle	K7	2
Hub height	N1	132
Slope angle hub axis	N2	6
Hub height above ground level	N3	133
Height above generator	M1	65.5



Rev	Date	Init.	Description
A	14-6-2016	WdR	Preliminary issue
Drawn	14-6-2016	WdR	Surface roughness ISO 4287
Check	14-6-2016	-	ISO limits and fits NEN-ISO 286-2
Approve			Welding symbolic ISO 2553

Surf.treatment: -  
Material: -

NEN-ISO 1101  
 A  B  C  D  E  F  G  H  
 A

Gen. Tol.  A ISO 1302  B

American proj.

units mm size A3

Module: Turbine  
Description: L136 4.5MW - Hub height 132m MST

Drawing no.: 20-000147 Rev. A Document class no. M00-C7

Weight: - kg

Scale: 1:1000 Sheets: 1 of 3

This document is confidential. It contains confidential, proprietary and privileged information and unauthorised disclosure, reproduction or use is prohibited. It is subject to change without notice.



8

7

6

5

4

3

2

1

F

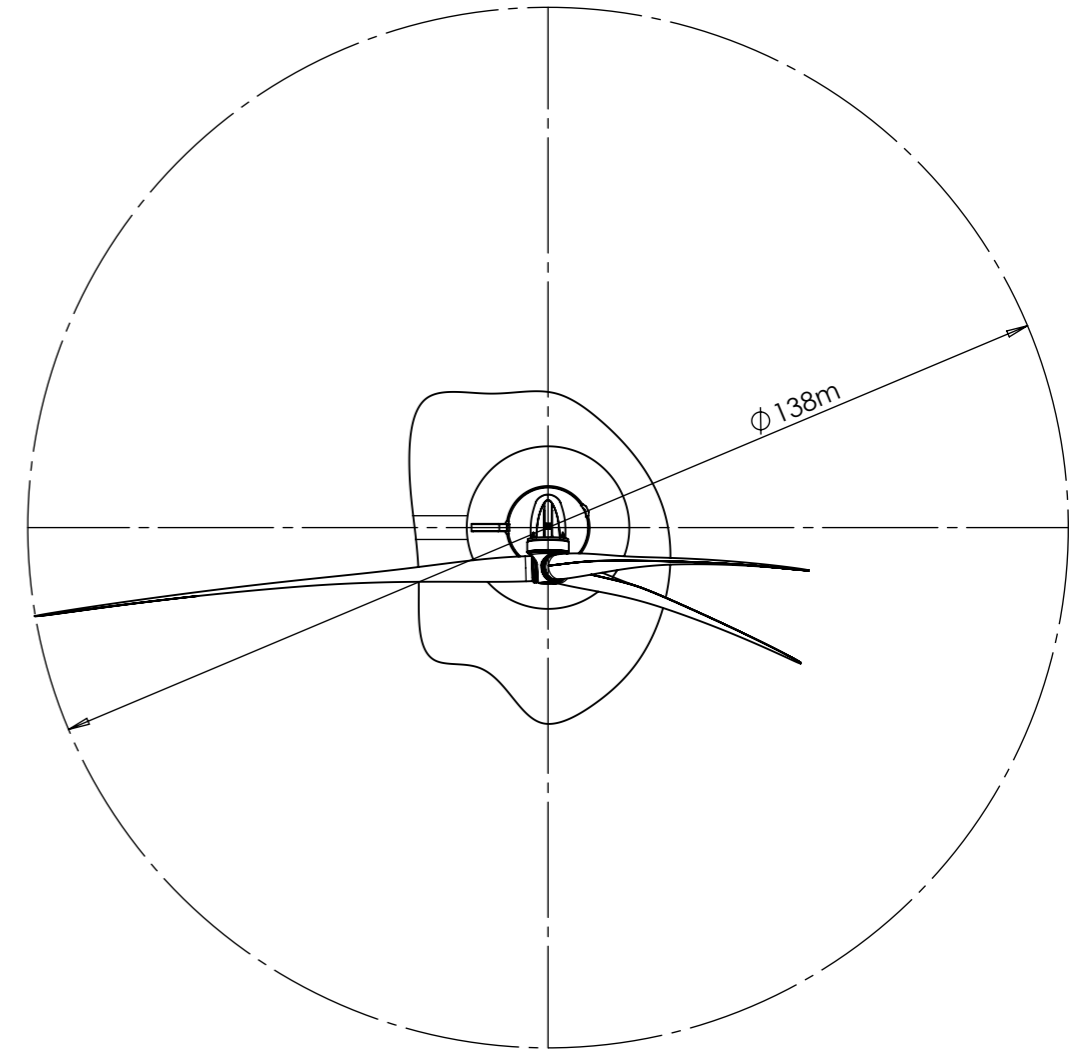
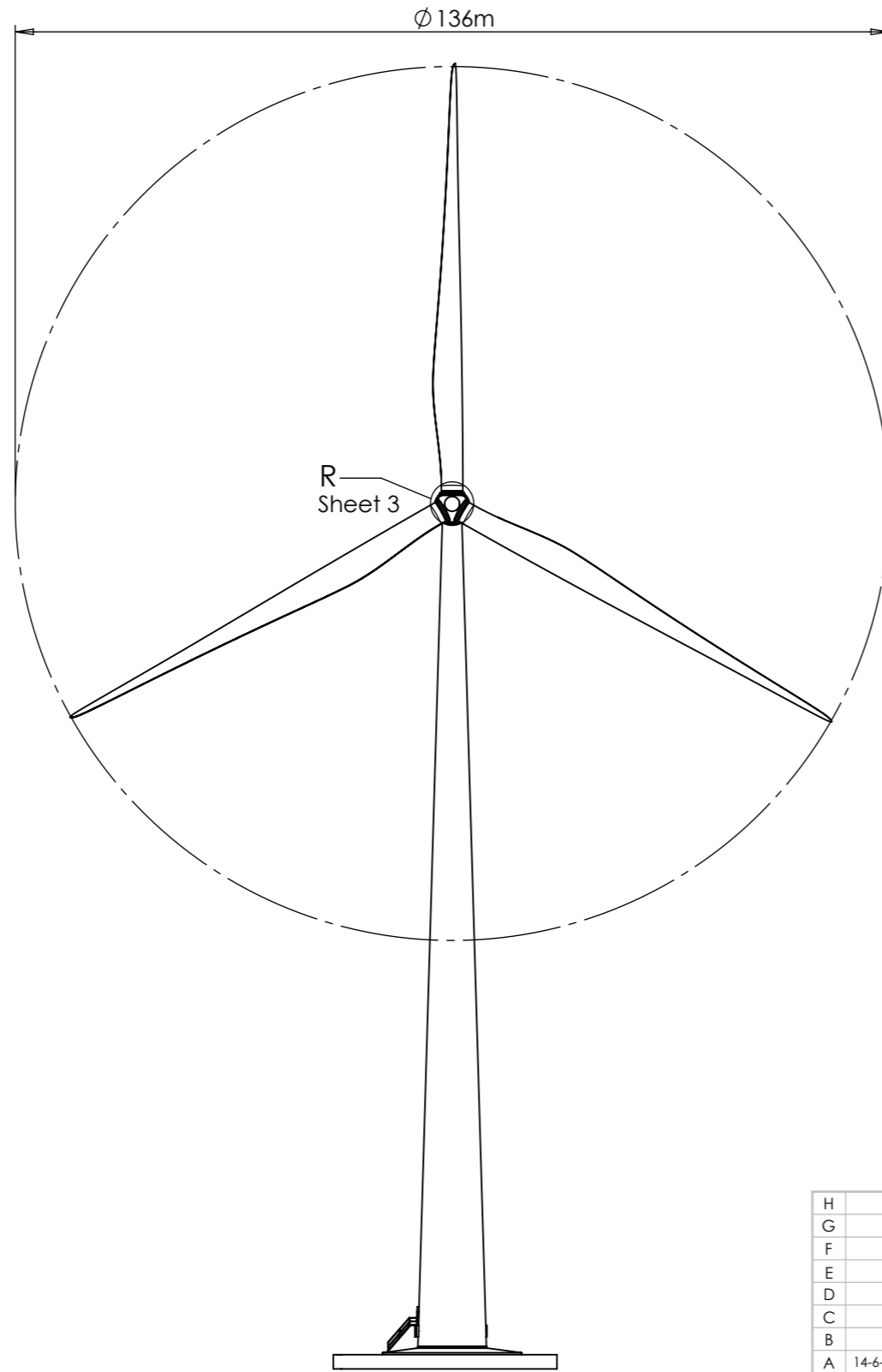
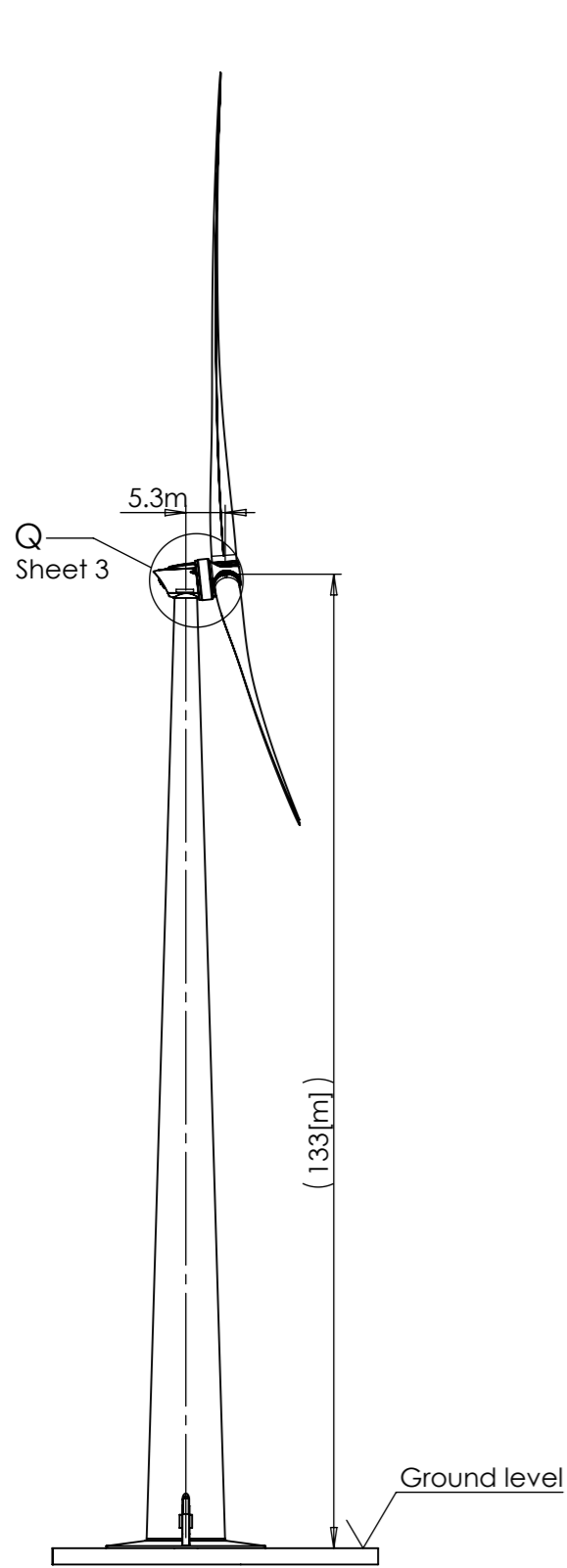
E

D

C

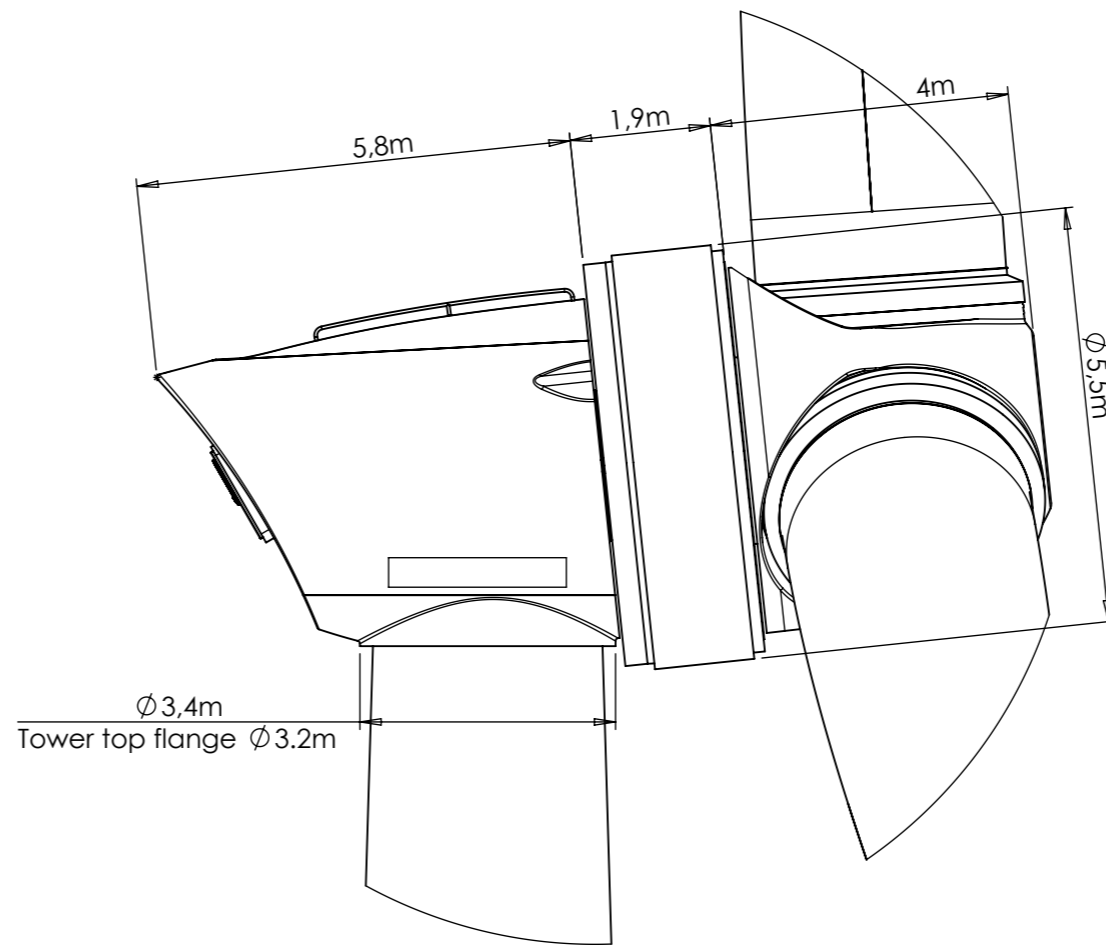
B

A



Top view with one blade horizontal  
Circumscribed circle relative to tower center  
Scale 1:1000

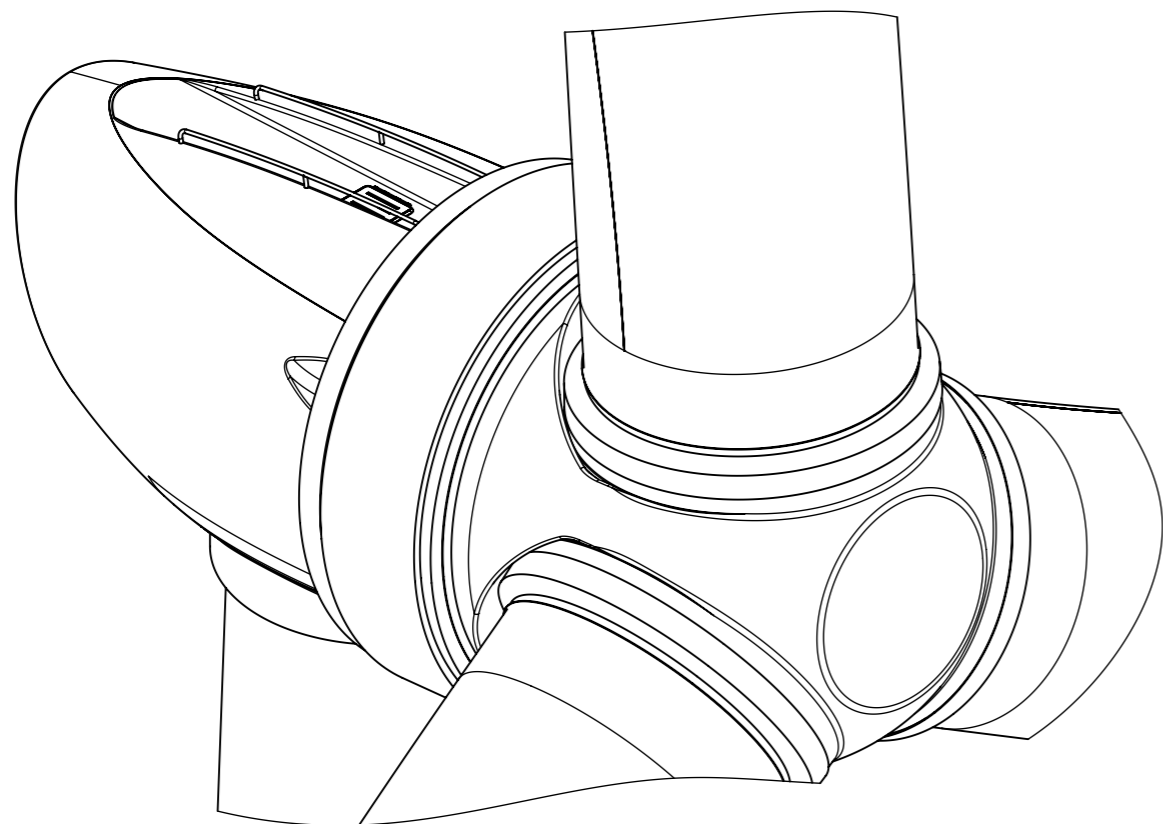
H									Surf.treatment: -
G									Material: -
F									NEN-ISO 1101 Module:
E									Turbine
D									Description:
C									L136 4.5MW - Hub height 132m MST
B									Drawing no.:
A	14-6-2016	Preliminary issue							20-000147
Rev	Date	Description							Rev. Document class no.
Drawn	14-6-2016	WdR							A M00-C7
Check	14-6-2016	-							Weight: - kg
Approve	Date	Initials	Sign						Scale: 1:1000
									Sheets: 2 of 3
<p>© Copyright Lagerwey Wind BV</p>									units mm
									size A3
This document is confidential. It contains confidential, proprietary and privileged information and unauthorised disclosure, reproduction or use is prohibited. It is subject to change without notice.									



DETAIL Q



DETAIL R



Isometric view of turbine head

H									Surf.treatment: -
G									Material: -
F									NEN-ISO 1101
E									Module: Turbine
D									Description: L136 4.5MW - Hub height 132m MST
C									Drawing no.: 20-000147
B									Rev. A Document class no. M00-C7
A	14-6-2016	Preliminary issue							Weight: - kg
Rev	Date	Description		Init.	WdR				Scale: 1:100
Drawn	14-6-2016	WdR							Sheets: 3 of 3
Check	14-6-2016	-							This document is confidential. It contains confidential, proprietary and privileged information and unauthorised disclosure, reproduction or use is prohibited. It is subject to change without notice.
Approve	Date	Initials	Sign						
© Copyright Lagerwey Wind BV									